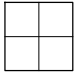


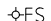
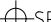


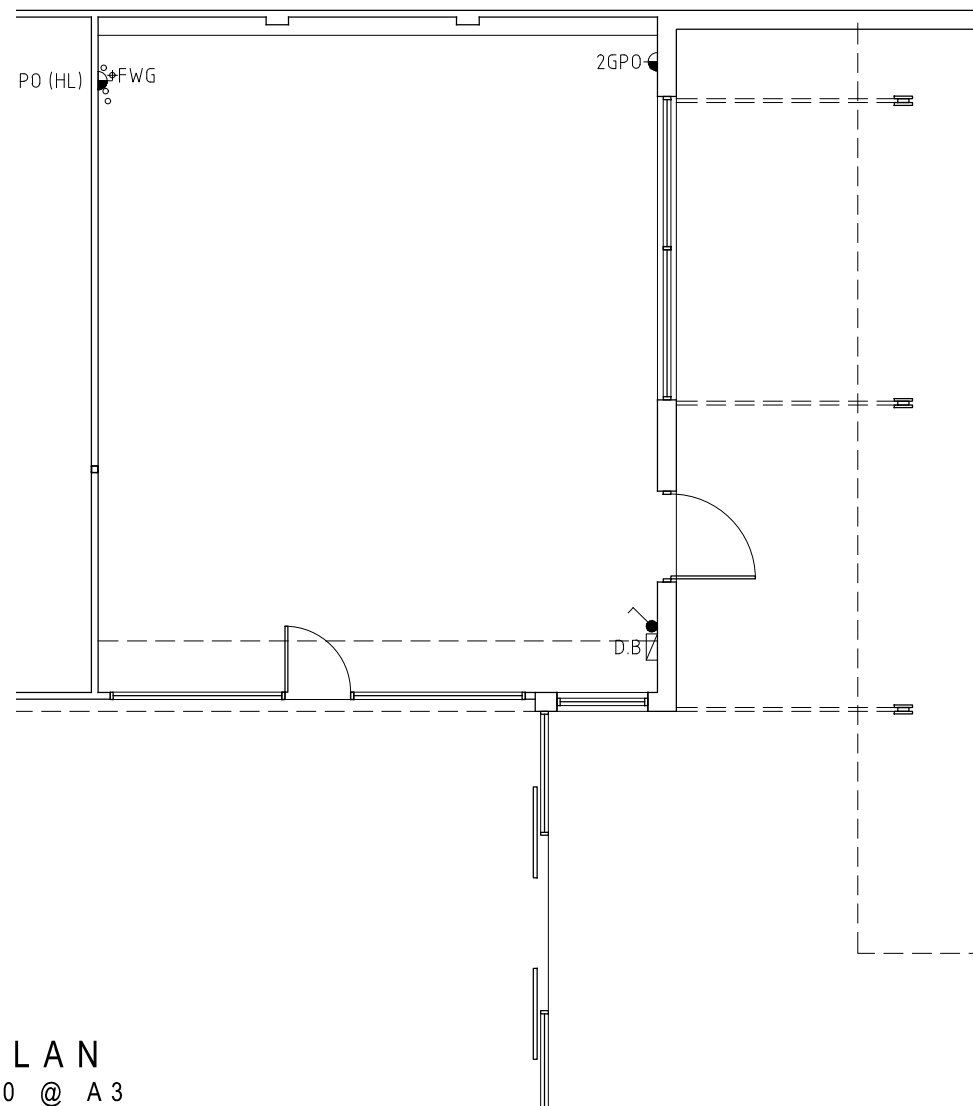
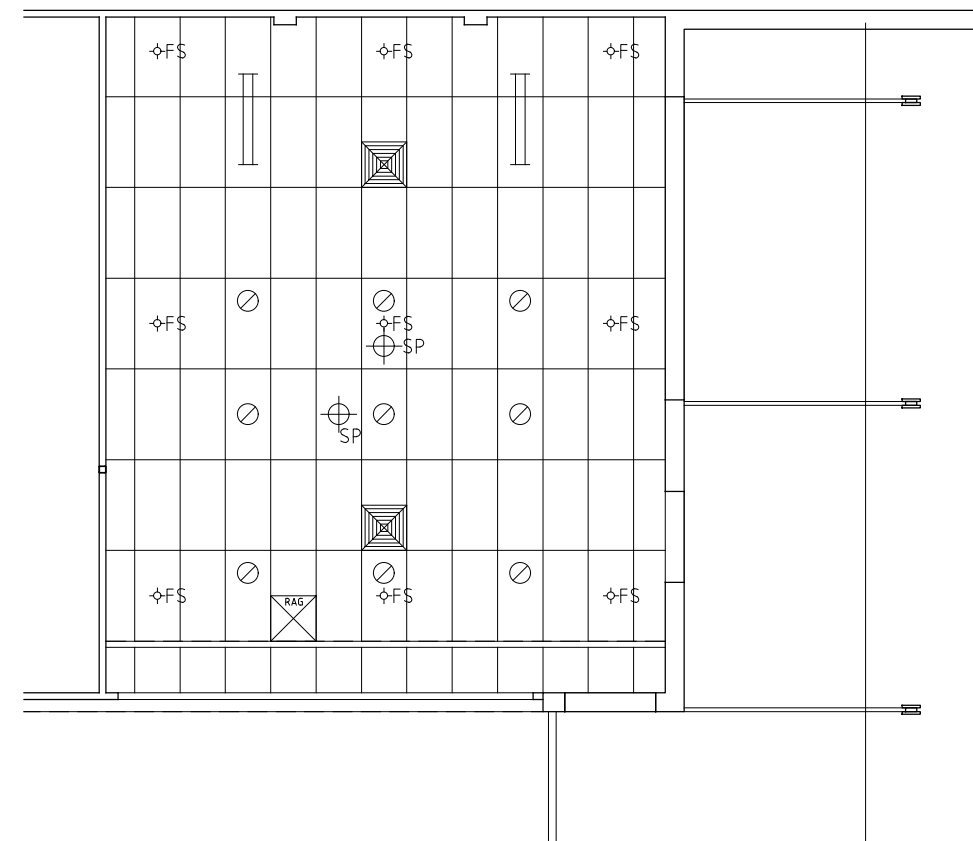


- CEILING PLAN LEGEND
-  1200x600 EXPOSED T-BAR SUSPENSION SYSTEM WITH INLAY CEILING PANELS
 -  RECESSED DOWNLIGHT LUMINAIRE
 -  SURFACE MOUNTED LUMINAIRE
 -  FIRE SPRINKLER
 -  SPEAKER
 -  MECHANICAL SUPPLY AIR GRILLE
 -  MECHANICAL RETURN AIR SUPPLY

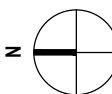


FLOOR PLAN
SCALE 1:100 @ A3



CEILING PLAN
SCALE 1:100 @ A3

THE VILLAGE AUSTRALIND - TENANCY 13
MARDO AVE AUSTRALIND WA
2050 SK01/T13 19th AUGUST 2020



COPYRIGHT
THIS DRAWING IS AND SHALL REMAIN THE
PROPERTY OF "MCG Architects Pty Ltd" AND
MAY ONLY BE USED FOR THE PURPOSE
FOR WHICH IT WAS COMMISSIONED AND
MAY NOT BE REPRODUCED WITHOUT
WRITTEN PERMISSION OF THE OWNER.

MCG Architects Pty Ltd
The Stage, Old Railway Institute Building
62 Wittenoom Street, Bunbury, WA, 6230
T: (08) 97916993 E: reception@mcgarchitects.com.au

